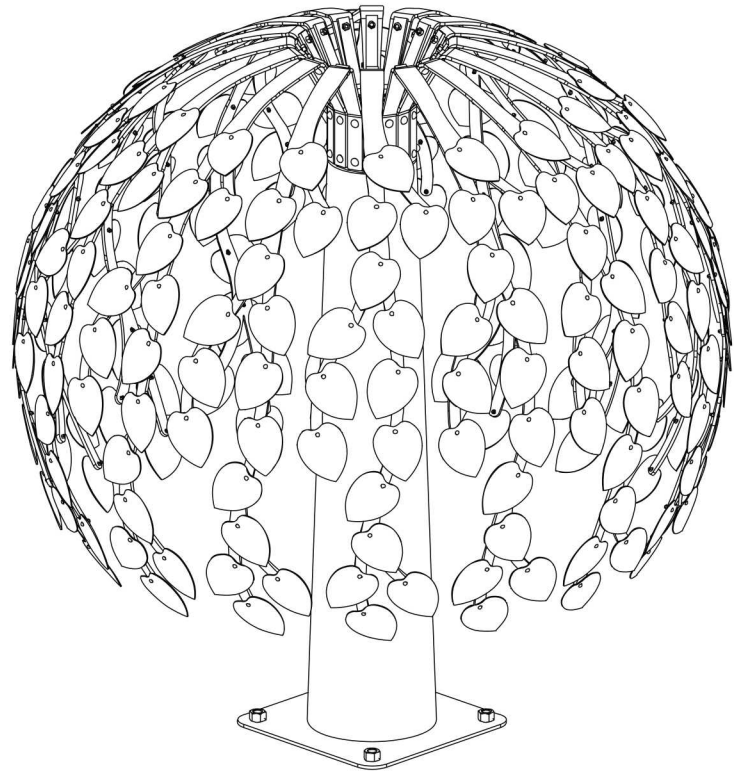


Mulberry Tree Installation Guide

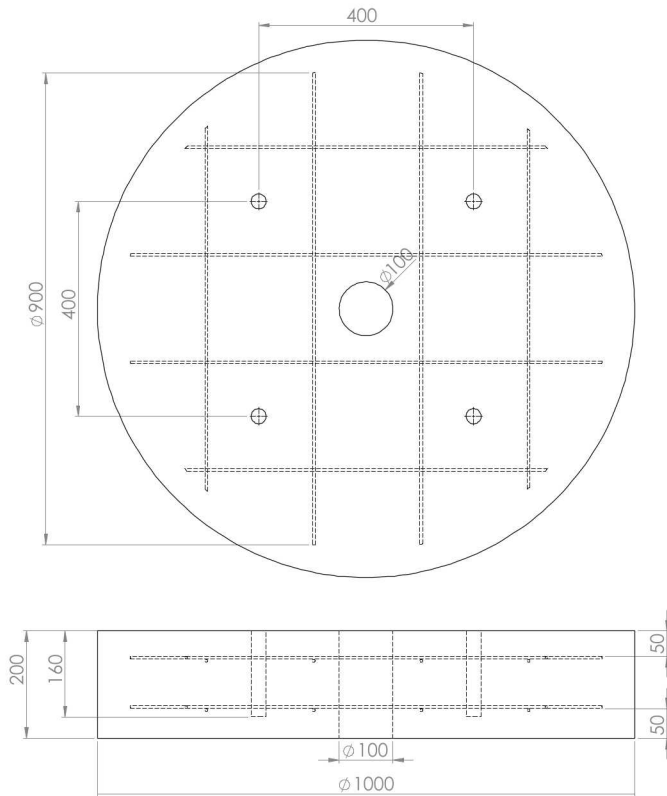
Make sure your information is up to date.

When specifying or installing Everlon Studio products, please ensure that you have the current technical information and guides.

If in doubt, or you need more information, please visit www.everlon.com.au or call us on (02) 9646 3886.



(1) Footings

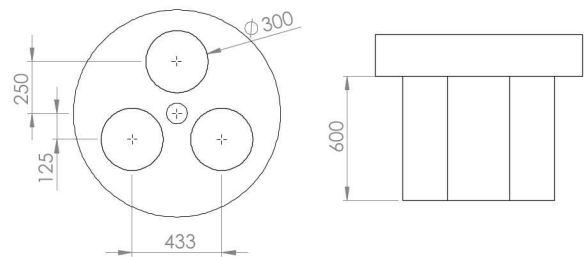


THE CONCRETE BASE/FOOTING SHALL BE TYPICALLY MADE FROM 25MPA UCS CONCRETE WITH A MINIMUM SIZE OF 1000MM & THICKNESS OF 200MM - CURE FOR 28 DAYS FORM A CENTRAL HOLE DIAMETER 100MM USING A SMOOTH PVC PIPE.

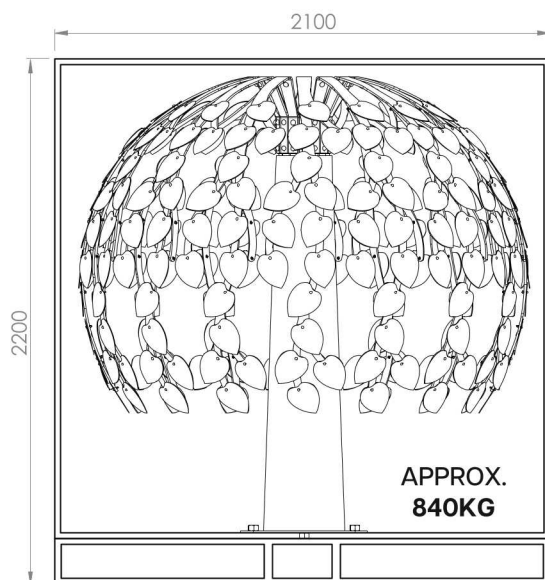
AFTER CURING FOR 28 DAYS, USE 4 OFF X RAMSET M24 A4-31 STAINLESS STUDS WITH CHEMSET REO 502 EPOXY (OR OTHER) HOLE DEPTH 160MM

STEEL FABRIC TYPE SL52 CUT TO SIZE 900MM
SL52: PLACE BELOW TOP OF CONCRETE 50MM
SL52: PLACE ABOVE TOP OF GROUND 50MM

PIERS TO BE USED FOR NON-COMPACTED SOIL (REFER TO LOCAL GEOTECHNICAL ADVICE)
TYPICAL PIERS TO BE POURED AT SAME TIME AS SLAB, AND BE A MINIMUM SIZE OF 300MM DIAMETER & DEPTH OF 600MM.



(2) Forklift Unloading



TREE DELIVERED FULLY ASSEMBLED

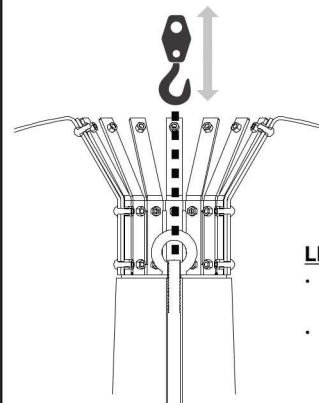
REQUIREMENTS:

- FORKLIFT & OPERATOR REQUIRED ON SITE TO OFFLOAD THE CRATE FROM THE FREIGHT FORWARDERS TRUCK (CLOSED IN).

CRATE DIMENSIONS:

- 210CM X 210CM X 220CM – APPROX. 840KG

(3) Lifting & Installation



SLING LOCATION FOR LIFTING SHOWN DASHED. ENSURE SLING REMAINS VERTICAL DURING LIFT.

USE THE M24 LIFTING EYE TO POSITION STRUCTURE ONTO FOOTING.

LIFTING NOTES:

- MAXIMUM STRUCTURE WEIGHT = 900KG
- EVERLON ACCEPT NO LIABILITY IN THE EVENT OF AN INCIDENT CAUSED BY LIFTING.

USE M24 DOWELS & NUTS TO FIX PLATE INTO POSITION & ENSURE BASE PLATE IS LEVEL

